

Pump type: Submersible vortex pump
 Application: Waste water, sewage

Pump data

Solids passage 80 mm
 Discharge/ Suction diameter 100 mm/ 100 mm
 Impeller type: Vortex
 Impeller diameter 242 - 225 mm
 Recommended min. flow 6 l/sec (21 m3/h)
 Weight 110 kg

Motor

Mains: 50 c/s – 3 phase
 Rated shaft power 7.5 kW
 Rated electrical power 9.3 kW
 Nominal speed 1390 rpm
 Motor efficiency 81 %
 Power factor (cos phi) 0.88
 Degree of protection IP 68
 Isolation class F (155°C)
 Max. water temperature 40°C
 Standard cable length 10 m

Materials

Pump casing Cast iron GG 25 (EN-GJL-250)
 Impeller S.g cast iron GGG 40 (EN-GJS-400-15)
 Motor unit Cast iron GG 25 (EN-GJL-250)
 Shaft AISI 431
 Bolt: AISI 316
 Bolts AISI 316
 Elastomers Nitrile (NBR) or neoprene (CR)
 Alt: viton (FPM)
 Electrical cable Neoprene (CR)
 Seal lubrication Oil
 Seal pump side Silicon carbide – silicon carbide
 Seal motor side Carbon - Ceramic
 Coating Two components polyurethane

Installation options

Header coupling BWK 100



Guide bar coupling OWK 100

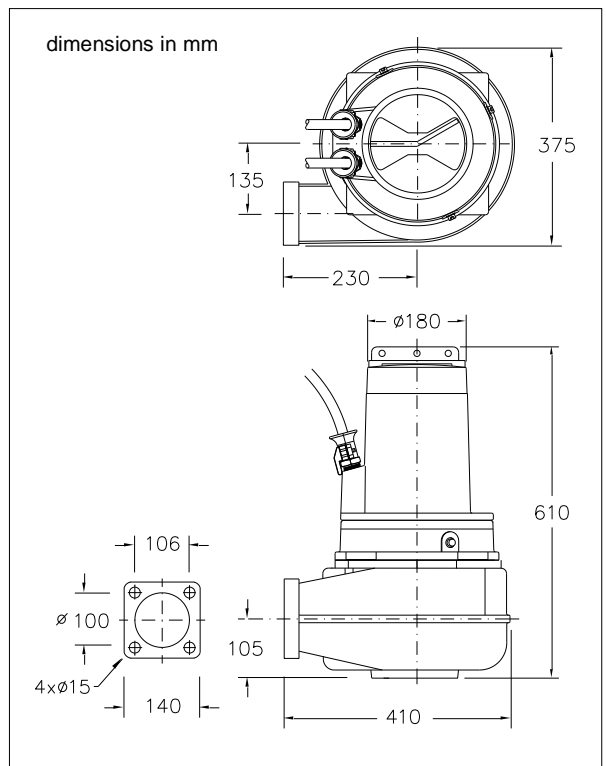
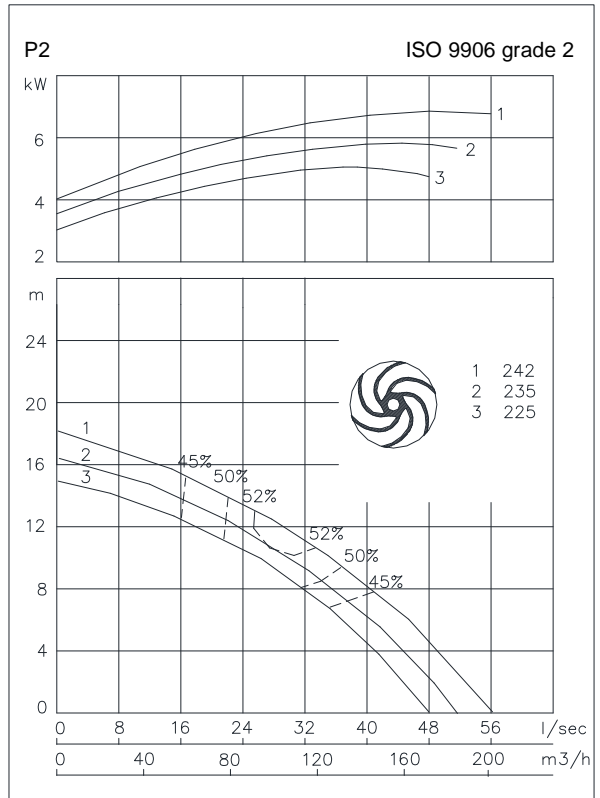


Freestanding Including support (VRS) 100mm hose connection or G 4" threaded connection



Optional

- Flameproof version, to class: II 2 G Ex d IIB c T4
 Standard: II 2 G Ex b c d IIB T4 Gb
 With Frequency control: II 2 G Ex b c d IIB T3 Gb
- Thermo switches in stator windings (standard for flame proof version)
- Cable protective sheathing (AISI 316)
- Water detector in motor and oil chamber
 Flameproof version with external cable



Connections

| voltage [V]* | current [A] | Electrical cable size [mm2] | | motor protection and/or water detector | | flameproof version | | |
|--|-------------|-----------------------------|-----------------|--|-----------------|--------------------|-----------------------------|--|
| | | direct start | stardelta start | direct start | stardelta start | direct start | stardelta start | |
| 230 | 26.4 | 4G6 | 7G2.5 | 4G6 + 4G1.5 | 7G2.5 + 4G1.5 | 4G6 + 4G2.5 | 7G2.5 + 4G2.5 | |
| 400 | 15.2 | 4G2.5 | 7G1.5 | 7G1.5 | 12G1.5 | 7G1.5 | 12G1.5 | |
| 500 | 12.1 | 4G2.5 | 7G1.5 | 7G1.5 | 12G1.5 | 7G1.5 | 12G1.5 | |
| starting current DOL start : 6.1 x rated current | | | | | | | | |
| starting current YD start : 2.0 x rated current | | | | | | | | |
| | | | | | | | * other voltages on request | |