

Pump type: Submersible vortex pump
 Application: Waste water, sewage

Pump data

Solids passage: 80 mm
 Discharge/ Suction diameter: 100 mm/ 80 mm
 Impeller type: Vortex
 Impeller diameter: 170 - 160 mm
 Recommended min. flow: 6 l/sec (21 m3/h)
 Weight: 115 kg

Motor

Mains: 50 c/s – 3 phase
 Rated shaft power: 9.0 kW
 Rated electrical power: 10.6 kW
 Nominal speed: 2900 rpm
 Motor efficiency: 85 %
 Power factor (cos phi): 0.89
 Degree of protection: IP 68
 Isolation class: F (155°C)
 Max. water temperature: 40°C
 Standard cable length: 10 m

Materials

Pump casing: Cast iron GG 25 (EN-GJL-250)
 Impeller: S.g cast iron GGG 40 (EN-GJS-400-15)
 Motor unit: Cast iron GG 25 (EN-GJL-250)
 Shaft: AISI 431
 Bolt: AISI 316
 Elastomers: Nitrile (NBR) or neoprene (CR)
 Electrical cable: Neoprene (CR)
 Seal lubrication: Oil
 Seal pump side: Silicon carbide – silicon carbide
 Seal motor side: Carbon - Ceramic
 Coating: Two components polyurethane

Installation options

Header coupling: BWK 100



Guide bar coupling: OWK 100

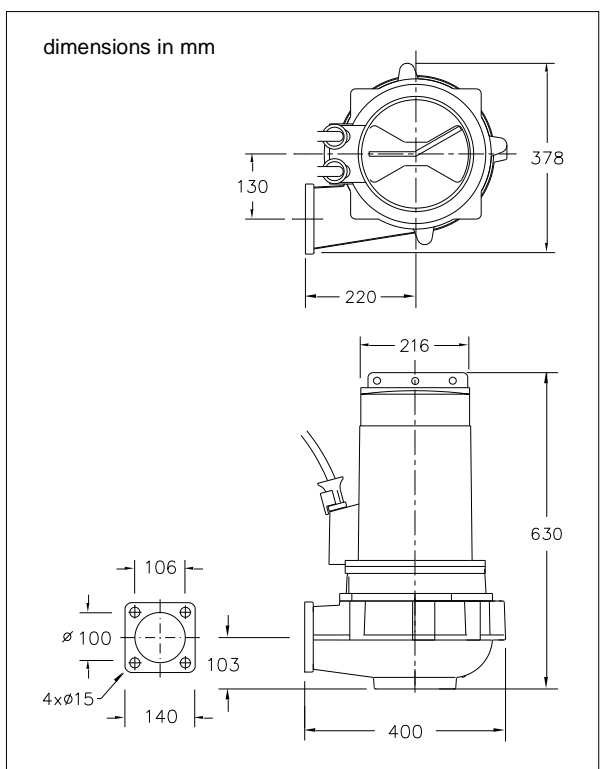
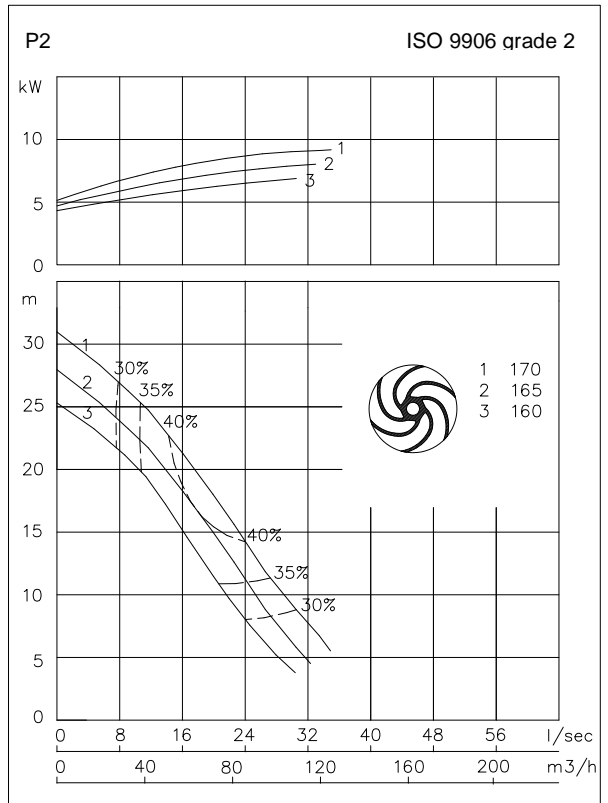


Freestanding including support (VRS): 100mm hose connection or G 4" threaded connection



Optional

- Flameproof version, to class: II 2 G Ex d IIB c T4
 Standard: II 2 G Ex b c d IIB T4 Gb
 With Frequency control: II 2 G Ex b c d IIB T3 Gb
- Thermo switches in stator windings (standard for flame proof version)
- Cable protective sheathing (AISI 316)
- Water detector in motor and oil chamber
 Flameproof version with external cable



Connections

voltage	current	Electrical cable size [mm ²]		motor protection and/or water detector		flameproof version		
		direct start	stardelta start	direct start	stardelta start	direct start	stardelta start	
230	29.9	4G6	7G2.5	4G6 + 4G1.5	7G2.5 + 4G1.5	4G6 + 4G2.5	7G2.5 + 4G2.5	
400	17.2	4G2.5	7G1.5	7G2.5	12G1.5	7G2.5	12G1.5	
500	13.7	4G2.5	7G1.5	7G1.5	12G1.5	7G1.5	12G1.5	
starting current DOL start : 6.3 x rated current								
starting current YD start : 2.1 x rated current								
							* other voltages on request	