

Pump type: Submersible vortex pump  
 Application: Waste water, sewage

**Pump data**

Solids passage 100 mm  
 Discharge/ Suction diameter 100 mm/ 110 mm  
 Impeller type: Vortex  
 Impeller diameter 245 - 220 mm  
 Recommended min. flow 6 l/sec (21 m3/h)  
 Weight 120 kg

**Motor**

Mains: 50 c/s – 3 phase  
 Rated shaft power 10.5 kW  
 Rated electrical power 12.5 kW  
 Nominal speed 1420 rpm  
 Motor efficiency 84 %  
 Power factor (cos phi) 0.85  
 Degree of protection IP 68  
 Isolation class F (155°C)  
 Max. water temperature 40°C  
 Standard cable length 10 m

**Materials**

Pump casing Cast iron GG 25 (EN-GJL-250)  
 Impeller S.g cast iron GGG 40 (EN-GJS-400-15)  
 Motor unit Cast iron GG 25 (EN-GJL-250)  
 Shaft AISI 431  
 Alt: AISI 316  
 Bolts AISI 316  
 Elastomers Nitrile (NBR) or neoprene (CR)  
 Alt: viton (FPM)  
 Electrical cable Neoprene (CR)  
 Seal lubrication Oil  
 Seal pump side Silicon carbide – silicon carbide  
 Seal motor side Carbon - Ceramic  
 Coating Two components polyurethane

**Installation options**

Header coupling BWK 100



Guide bar coupling OWK 100

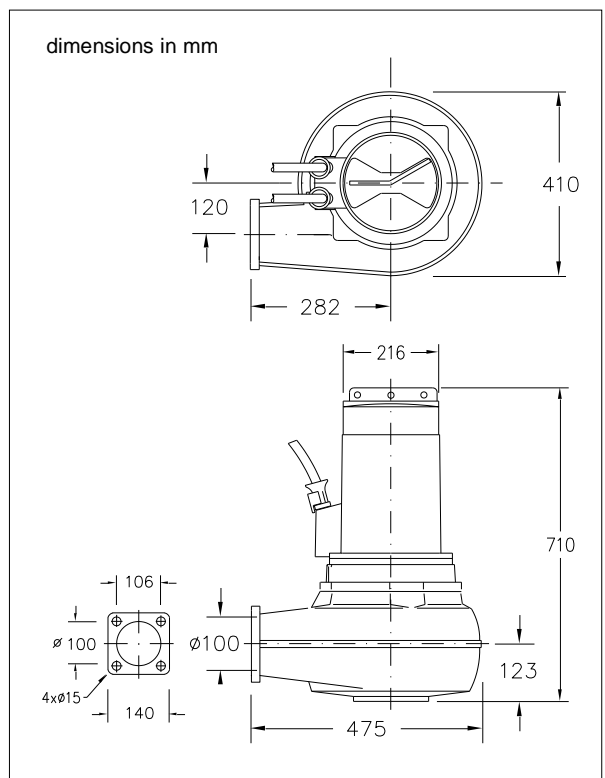
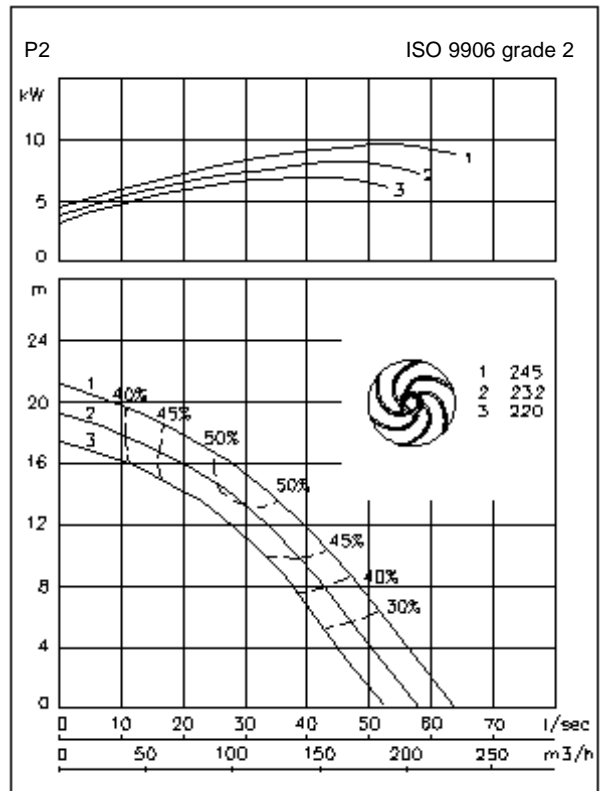


Freestanding Including support (VRS) 100mm hose connection or G 4" threaded connection



**Optional**

- Flameproof version, to class: II 2 G Ex d IIB c T4  
 Standard: II 2 G Ex b c d IIB T4 Gb  
 With Frequency control: II 2 G Ex b c d IIB T3 Gb
- Thermo switches in stator windings (standard for flame proof version)
- Cable protective sheathing (AISI 316)
- Water detector in motor and oil chamber  
 Flameproof version with external cable



**Connections**

voltage [V]*	current [A]	Electrical cable size [mm2]		motor protection and/or water detector		flameproof version		
		direct start	stardelta start	direct start	stardelta start	direct start	stardelta start	
230	36.9	4G10	2x4G6	4G10 + 4G1.5	-	4G10 + 4G2.5	-	
400	21.2	4G6	7G1.5	4G6 + 4G1.5	12G1.5	4G6 + 4G2.5	12G1.5	
500	17.0	4G2.5	7G1.5	7G1.5	12G1.5	7G1.5	12G1.5	
starting current DOL start : 5.0 x rated current								
starting current YD start : 1.7 x rated current								
							* other voltages on request	