

Pump type: Submersible vortex pump
 Application: Waste water, sewage

Pump data

Solids passage 150 mm
 Discharge/ Suction diameter 200 mm/ 200 mm
 Impeller type: Vortex
 Impeller diameter 305 - 230 mm
 Recommended min. flow 13 l/sec (47 m3/h)
 Weight 340 kg

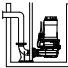

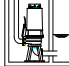
Motor

Mains: 50 c/s – 3 phase
 Rated shaft power 26.0 kW
 Rated electrical power 29.4 kW
 Nominal speed 975 rpm
 Motor efficiency 88.5 %
 Power factor (cos phi) 0.81
 Degree of protection IP 68
 Isolation class F (155°C)
 Max. water temperature 40°C
 Standard cable length 10 m

Materials

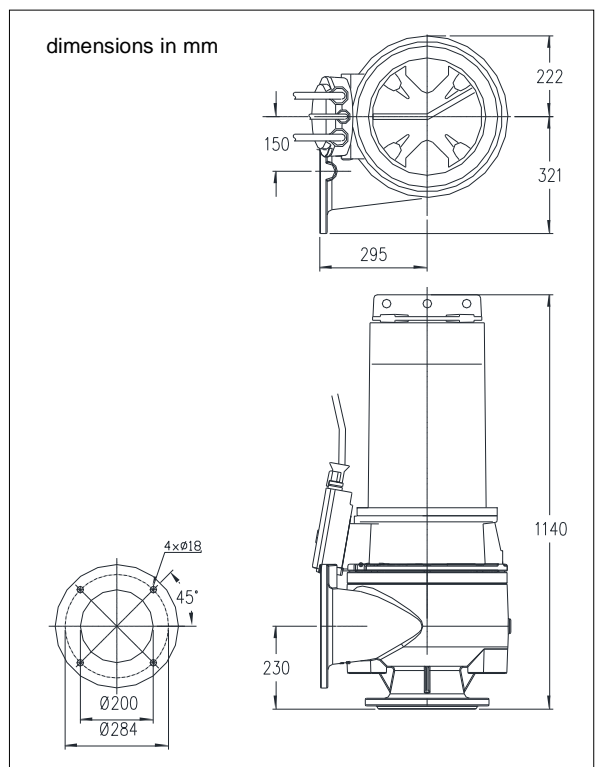
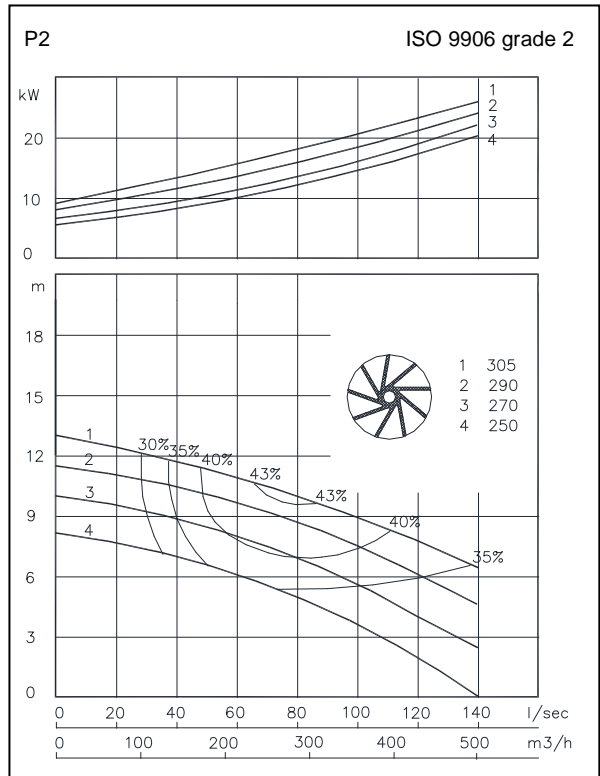
Pump casing Cast iron GG 25 (EN-GJL-250)
 Impeller S.g cast iron GGG 40 (EN-GJS-400-15)
 Motor unit Cast iron GG 25 (EN-GJL-250)
 Shaft AISI 431
 Alt: AISI 316
 Bolts AISI 316
 Elastomers Nitrile (NBR) of neoprene (CR)
 Alt: viton (FPM)
 Electrical cable Neoprene (CR)
 Seal lubrication Oil
 Seal pump side Silicon carbide – silicon carbide
 Seal motor side Carbon - Ceramic
 Coating Two components polyurethane

Installation options

Guide bar coupling OWK 200 
 Freestanding 200 mm hose connection 
 Including support (VRS)
 Dry Installation vertical or horizontal install. 
 Including cooling system discharge flange NW200
 (ODO) suction flange NW200

Optional

- Version with cooling system
- Cable protective sheathing (AISI 316)
- Water detector in motor and oil chamber



Connections

voltage [V]*	current [A]	Electrical cable size [mm2]	
		motor protection and/or water detector direct start	star-delta start
230	91	-	2x4G16 + 4G2.5
400	52.4	4G16 + 4G2.5	2x4G6 + 4G2.5
500	41.9	4G10 + 4G2.5	2x4G6 + 4G2.5
starting current DOL start : 4.8 x rated current			
starting current YD start : 1.6 x rated current			
			* other voltages on request