

Pump type: Submersible vortex pump
 Application: Waste water, sewage

Pump data

Solids passage 50 mm
 Discharge/ Suction diameter 50 mm/ 65 mm
 Impeller type: Vortex
 Impeller diameter 250 - 200 mm
 Recommended min. flow 1.5 l/sec (5 m3/h)
 Weight 320 kg

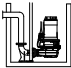

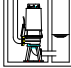
Motor

Mains: 50 c/s – 3 phase
 Rated shaft power 48.0 kW
 Rated electrical power 52.7 kW
 Nominal speed 2955 rpm
 Motor efficiency 91 %
 Power factor (cos phi) 0.93
 Degree of protection IP 68
 Isolation class F (155°C)
 Max. water temperature 40°C
 Standard cable length 10 m

Materials

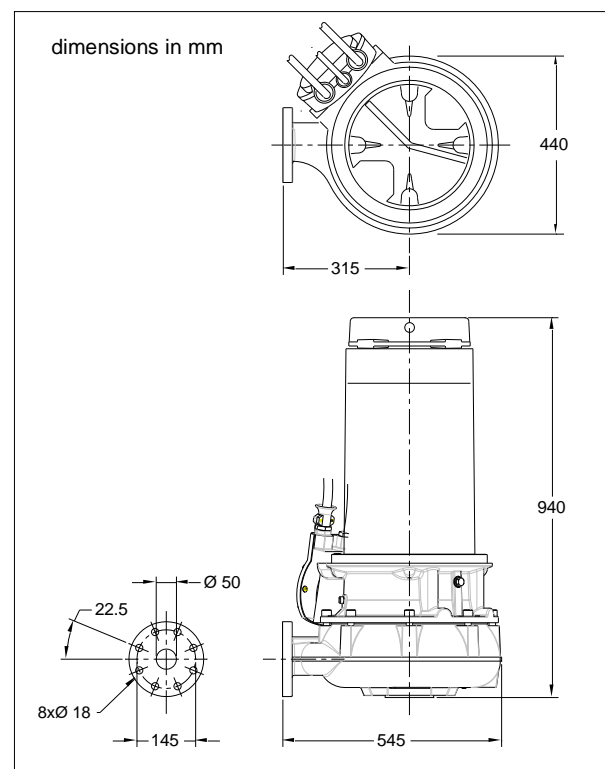
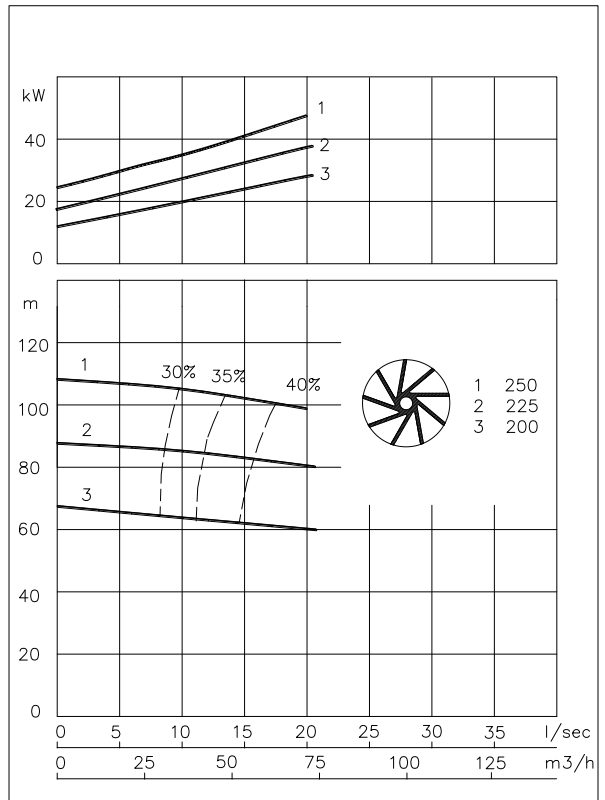
Pump casing Cast iron GG 25 (EN-GJL-250)
 Impeller S.g cast iron GGG 40 (EN-GJS-400-15)
 Motor unit Cast iron GG 25 (EN-GJL-250)
 Shaft AISI 431
 Bolts Alt: AISI 316
 AISI 316
 Elastomers Nitrile (NBR) or neoprene (CR)
 Alt: viton (FPM)
 Electrical cable Neoprene (CR)
 Seal lubrication Oil
 Seal pump side Silicon carbide – silicon carbide
 Seal motor side Carbon - Ceramic
 Coating Two components polyurethane

Installation options

Guide bar coupling OWK 100-065-N 
 Freestanding Including support (VRS) 75mm hose connection or G 3" threaded connection 
 Dry Installation Including cooling system (ODO) vertical or horizontal install. discharge flange NW65 suction flange NW65 

Optional

- Version with cooling system
- Flameproof version, to class: II 2 G Ex d IIB c T4
 Standard: II 2 G Ex b c d IIB T4 Gb
 With Frequency control: II 2 G Ex b c d IIB T3 Gb
- Cable protective sheathing (AISI 316)
- Water detector in motor and oil chamber
 Flameproof version with external cable



Connections

voltage [V]*	current [A]	Electrical cable size [mm2]			
		motor protection and/or water detector		flameproof version	
		direct start	star-delta start	direct start	star-delta start
230	142.4	-	-	-	-
400	81.9	-	2x4G10 + 4G2.5	-	2x4G10 + 4G2.5
500	65.5	4G16 + 4G2.5	2x4G10 + 4G2.5	4G16 + 4G2.5	2x4G10 + 4G2.5
starting current DOL start : 6.2 x rated current					
starting current YD start : 2.1 x rated current					
					* other voltages on request