

Pump type: Submersible vortex pump
 Application: Waste water, sewage

Pump data

Solids passage 100 mm
 Discharge/ Suction diameter 100 mm/ 120 mm
 Impeller type: Vortex
 Impeller diameter 285 - 225 mm
 Recommended min. flow 6 l/sec (21 m3/h)
 Weight 265 kg

Motor

Mains: 50 c/s – 3 phase
 Rated shaft power 16.0 kW
 Rated electrical power 18.8 kW
 Nominal speed 1450 rpm
 Motor efficiency 85 %
 Power factor (cos phi) 0.78
 Degree of protection IP 68
 Isolation class F (155°C)
 Max. water temperature 40°C
 Standard cable length 10 m

Materials

Pump casing Cast iron GG 25 (EN-GJL-250)
 Impeller S.g cast iron GGG 40 (EN-GJS-400-15)
 Motor unit Cast iron GG 25 (EN-GJL-250)
 Shaft AISI 431
 Bolts AISI 316
 Elastomers Nitrile (NBR) or neoprene (CR)
 Electrical cable Neoprene (CR)
 Seal lubrication Oil
 Seal pump side Silicon carbide – silicon carbide
 Seal motor side Carbon - Ceramic
 Coating Two components polyurethane

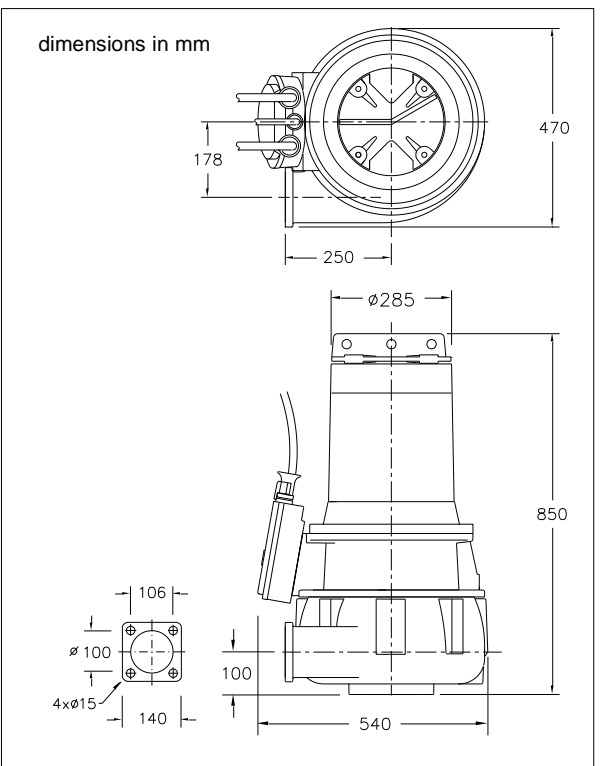
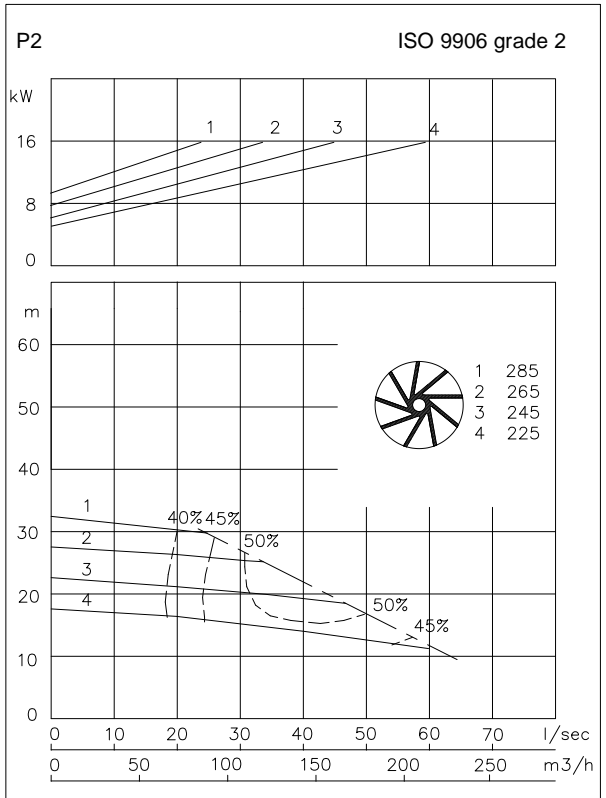
Installation options

Guide bar coupling OWK 100 or OWK 150
 Freestanding 100 mm hose connection or
 Including support (VRS) G 4" threaded connection
 Dry Installation vertical or horizontal install.
 Including cooling system discharge flange NW100
 (ODO) suction flange NW125



Optional

- Version with cooling system
- Flameproof version, to class: II 2 G Ex d IIB c T4
 Standard: II 2 G Ex b c d IIB T4 Gb
 With Frequency control: II 2 G Ex b c d IIB T3 Gb
- Cable protective sheathing (AISI 316)
- Water detector in motor and oil chamber
 Flameproof version with external cable



Connections

voltage [V]*	current [A]	Electrical cable size [mm2]			
		motor protection and/or water detector		flameproof version	
		direct start	star-delta start	direct start	star-delta start
230	60.6	4G16 + 4G2.5	2x4G6 + 4G2.5	4G16 + 4G2.5	2x4G6 + 4G2.5
400	34.8	4G6 + 4G2.5	7G2.5 + 4G2.5	4G6 + 4G2.5	7G2.5 + 4G2.5
500	27.9	4G6 + 4G2.5	7G2.5 + 4G2.5	4G6 + 4G2.5	7G2.5 + 4G2.5
starting current DOL start : 5.4 x rated current					
starting current YD start : 1.8 x rated current					
					* other voltages on request