

Pump type: Submersible vortex pump  
 Application: Waste water, sewage

**Pump data**

Solids passage 100 mm  
 Discharge/ Suction diameter 100 mm/ 120 mm  
 Impeller type: Vortex  
 Impeller diameter 315 - 225 mm  
 Recommended min. flow 6 l/sec (21 m3/h)  
 Weight 280 kg

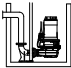

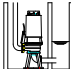
**Motor**

Mains: 50 c/s – 3 phase  
 Rated shaft power 22.0 kW  
 Rated electrical power 26.2 kW  
 Nominal speed 1430 rpm  
 Motor efficiency 84 %  
 Power factor (cos phi) 0.82  
 Degree of protection IP 68  
 Isolation class F (155°C)  
 Max. water temperature 40°C  
 Standard cable length 10 m

**Materials**

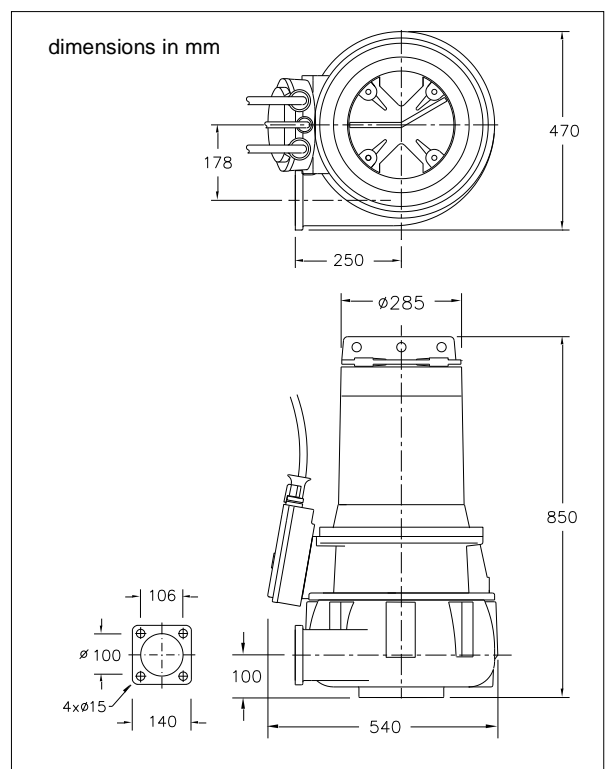
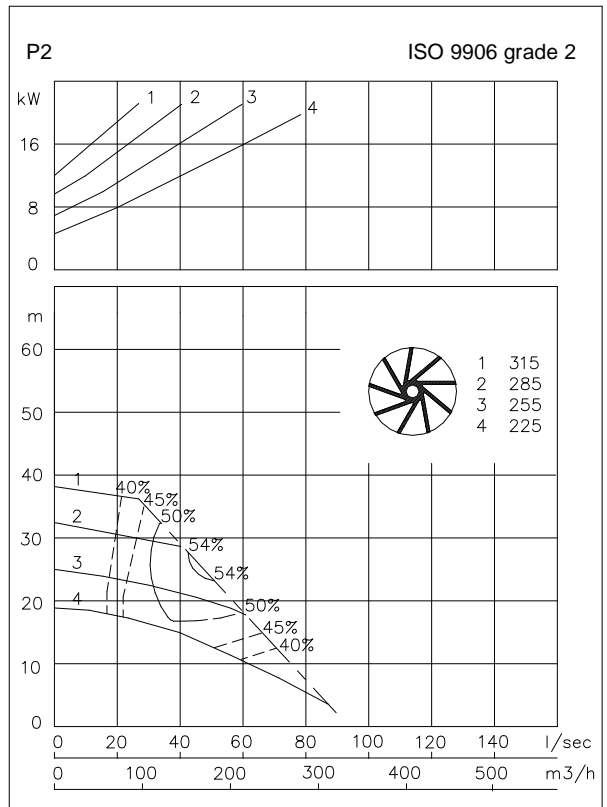
Pump casing Cast iron GG 25 (EN-GJL-250)  
 Impeller S.g cast iron GGG 40 (EN-GJS-400-15)  
 Motor unit Cast iron GG 25 (EN-GJL-250)  
 Shaft AISI 431  
 Alt: AISI 316  
 Bolts AISI 316  
 Elastomers Nitrile (NBR) of neoprene (CR)  
 Alt: viton (FPM)  
 Electrical cable Neoprene (CR)  
 Seal lubrication Oil  
 Seal pump side Silicon carbide – silicon carbide  
 Seal motor side Carbon - Ceramic  
 Coating Two components polyurethane

**Installation options**

Guide bar coupling OWK 100 or OWK 150   
 Freestanding 100 mm hose connection or   
 Including support (VRS) G 4" threaded connection  
 Dry Installation vertical or horizontal install.   
 Including cooling system discharge flange NW100  
 (ODO) suction flange NW125

**Optional**

- Version with cooling system
- Flameproof version, to class: II 2 G Ex d IIB c T4  
 Standard: II 2 G Ex b c d IIB T4 Gb  
 With Frequency control: II 2 G Ex b c d IIB T3 Gb
- Cable protective sheathing (AISI 316)
- Water detector in motor and oil chamber  
 Flameproof version with external cable



**Connections**

voltage [V]*	current [A]	Electrical cable size [mm2]			
		motor protection and/or water detector		flameproof version	
		direct start	star-delta start	direct start	star-delta start
230	80.2	-	2x4G10 + 4G2.5	-	2x4G10 + 4G2.5
400	46.1	4G10 + 4G2.5	2x4G6 + 4G2.5	4G10 + 4G2.5	2x4G6 + 4G2.5
500	36.9	4G6 + 4G2.5	2x4G6 + 4G2.5	4G6 + 4G2.5	2x4G6 + 4G2.5
starting current DOL start : 5.7 x rated current					
starting current YD start : 1.9 x rated current					
					* other voltages on request