

Pump type: Submersible cutter pump  
 Application: Waste water, sewage

### Pump data

Discharge diameter: 40 mm  
 Impeller type: cutter  
 Impeller diameter: 150 mm  
 Recommended min. flow: 0.5 l/sec (2 m3/h)  
 Weight: 49 kg

### Motor

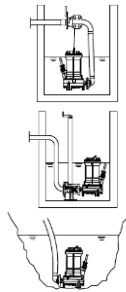
Mains: 50 c/s – 3 phase  
 Rated shaft power: 2.6 kW  
 Rated electrical power: 3.5 kW  
 Nominal speed: 2800 rpm  
 Motor efficiency: 74 %  
 Power factor (cos phi): 0.91  
 Degree of protection: IP 68  
 Isolation class: F (155°C)  
 Max. water temperature: 40°C  
 Standard cable length: 10 m

### Materials

Pump casing: Cast iron GG 25 (EN-GJL-250)  
 Impeller: Cast iron GG 25 (EN-GJL-250)  
 Cutter: Hardened chrome steel  
 Motor unit: Cast iron GG 25 (EN-GJL-250)  
 Shaft: AISI 431  
 Bolts: Alt: AISI 316  
 Elastomers: AISI 316  
 Nitrile (NBR) or neoprene (CR)  
 Alt: viton (FPM)  
 Neoprene (CR)  
 Electrical cable: Neoprene (CR)  
 Seal lubrication: Oil  
 Seal pump side: Silicon carbide – silicon carbide  
 Seal motor side: Carbon - Ceramic  
 Coating: Two components polyurethane

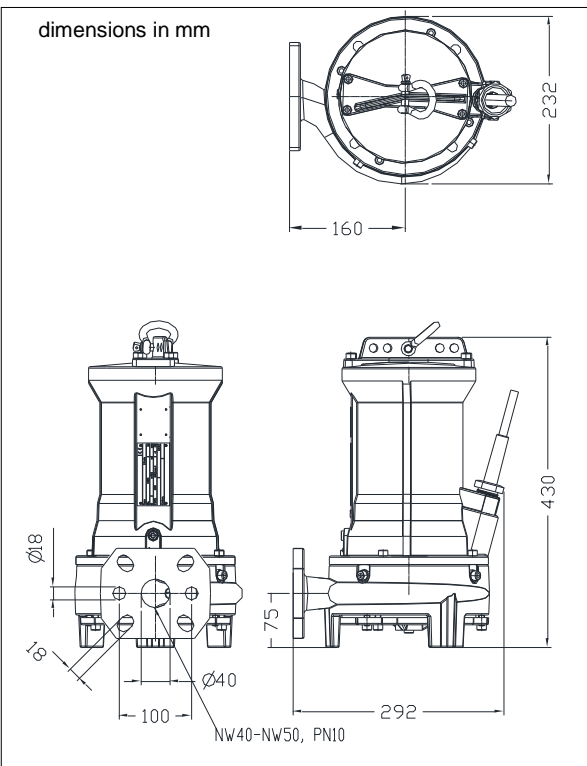
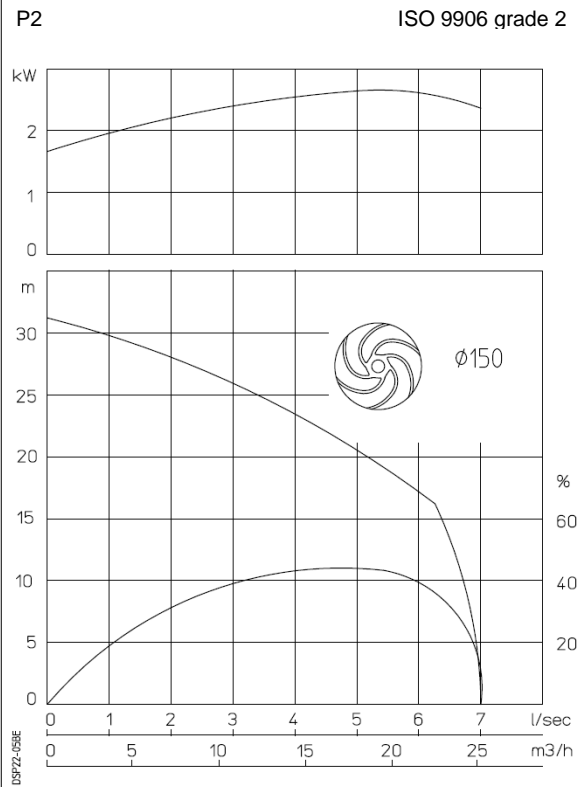
### Installation options

Header coupling: BWK 050  
 Guide bar coupling: OWK 050  
 Freestanding (VRS): 50 mm or 75 mm hose connection or G 2" threaded connection



### Optional

- Flameproof version, to class: II 2 G Ex d IIB c T4  
 Standard: II 2 G Ex b c d IIB T4 Gb  
 With Frequency control: II 2 G Ex b c d IIB T3 Gb
- Thermo switches in stator windings (standard for flame proof version)
- Cable protective sheathing (AISI 316)
- Water detector in motor and oil chamber  
 Flameproof version with external cable



### Connections

voltage [V]*	current [A]	Electrical cable size [mm <sup>2</sup> ]		motor protection and/or water detector		flameproof version		
		direct start	stardelta start	direct start	stardelta start	direct start	stardelta start	
230	9.7	4G1.5	7G1.5	7G1.5	10G1.5	7G1.5	10G1.5	
400	5.6	4G1.5	7G1.5	7G1.5	10G1.5	7G1.5	10G1.5	
500	4.5	4G1.5	7G1.5	7G1.5	10G1.5	7G1.5	10G1.5	
starting current DOL start : 4.6 x rated current								
starting current YD start : 1.5 x rated current								
							* other voltages on request	