

Pump type: Submersible vortex pump
 Application: Waste water, sewage

Pump data

Solids passage 65 mm
 Discharge/ Suction diameter 65 mm/ 65 mm
 Impeller type: Vortex
 Impeller diameter 138 - 110 mm
 Recommended min. flow 2 l/sec (8 m3/h)
 Weight 45 kg

Motor

Mains: 50 c/s – 3 phase
 Rated shaft power 2.6 kW
 Rated electrical power 3.5 kW
 Nominal speed 2800 rpm
 Motor efficiency 74 %
 Power factor (cos phi) 0.91
 Degree of protection IP 68
 Isolation class F (155°C)
 Max. water temperature 40°C
 Standard cable length 10 m

Materials

Pump casing Cast iron GG 25 (EN-GJL-250)
 Impeller Cast iron GG 25 (EN-GJL-250)
 Motor unit Cast iron GG 25 (EN-GJL-250)
 Shaft AISI 431
 Alt: AISI 316
 Bolts AISI 316
 Elastomers Nitrile (NBR) or neoprene (CR)
 Alt: viton (FPM)
 Neoprene (CR)
 Electrical cable Neoprene (CR)
 Seal lubrication Oil
 Seal pump side Silicon carbide – silicon carbide
 Seal motor side Carbon - Ceramic
 Coating Two components polyurethane

Installation options

Header coupling BWK 065 or 080



Guide bar coupling OWK 065 or 080



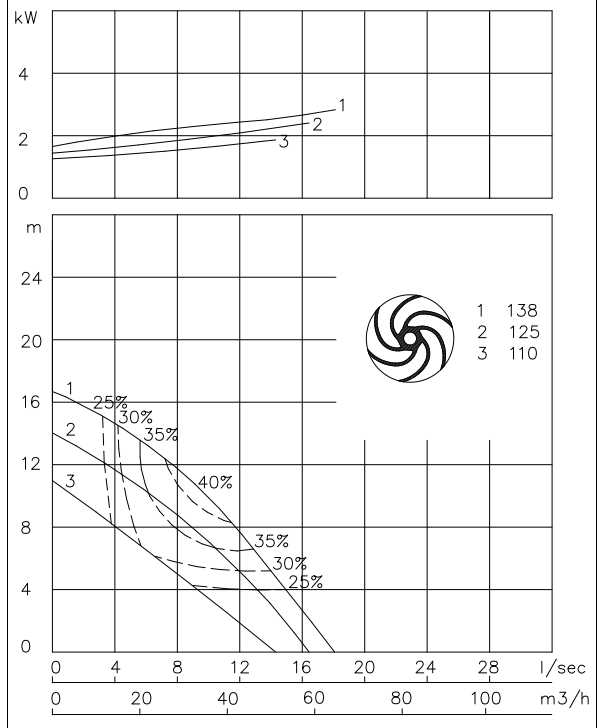
Freestanding Including support (VRS) 75 mm hose connection or G 3" threaded connection



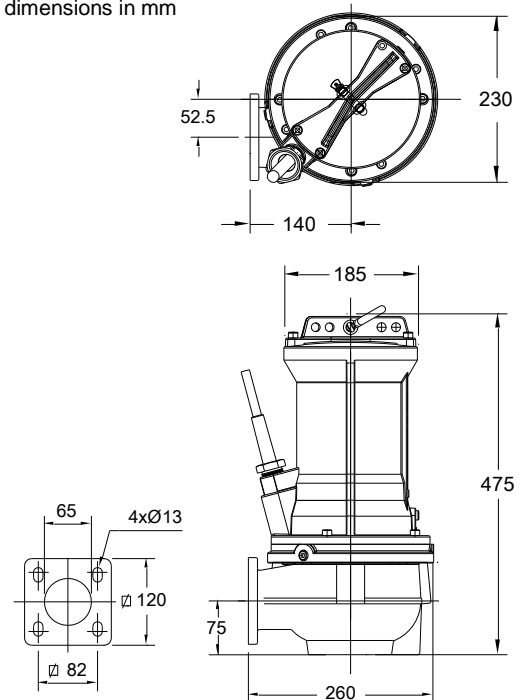
Optional

- Flameproof version, to class: Standard: II 2 G Ex b c d IIB T4 Gb With Frequency control: II 2 G Ex b c d IIB T3 Gb
- Thermo switches in stator windings (standard for flame proof version)
- Cable protective sheathing (AISI 316)
- Water detector in motor and oil chamber
 Flameproof version with external cable

P2 ISO 9906 grade 2



dimensions in mm



Connections

voltage [V]*	current [A]	Electrical cable size [mm ²]		motor protection and/or water detector		flameproof version	
		direct start	stardelta start	direct start	stardelta start	direct start	stardelta start
230	9.7	4G1.5	7G1.5	7G1.5	10G1.5	7G1.5	10G1.5
400	5.6	4G1.5	7G1.5	7G1.5	10G1.5	7G1.5	10G1.5
500	4.5	4G1.5	7G1.5	7G1.5	10G1.5	7G1.5	10G1.5
starting current DOL start : 4.6 x rated current							
starting current YD start : 1.5 x rated current							
							* other voltages on request