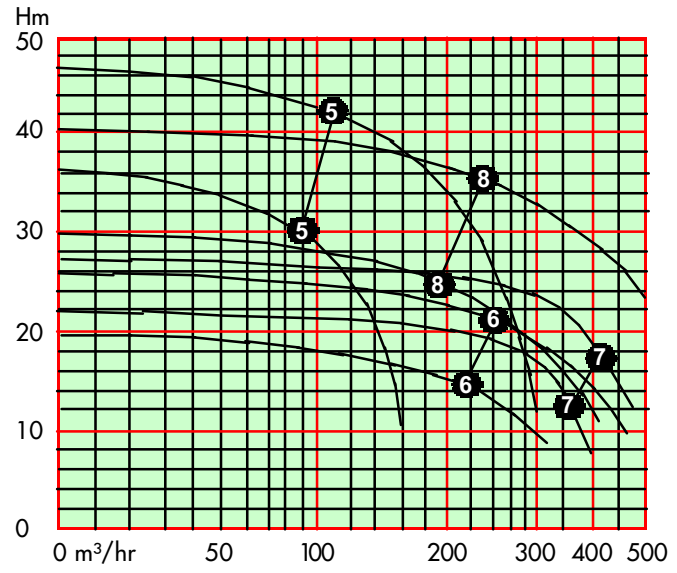
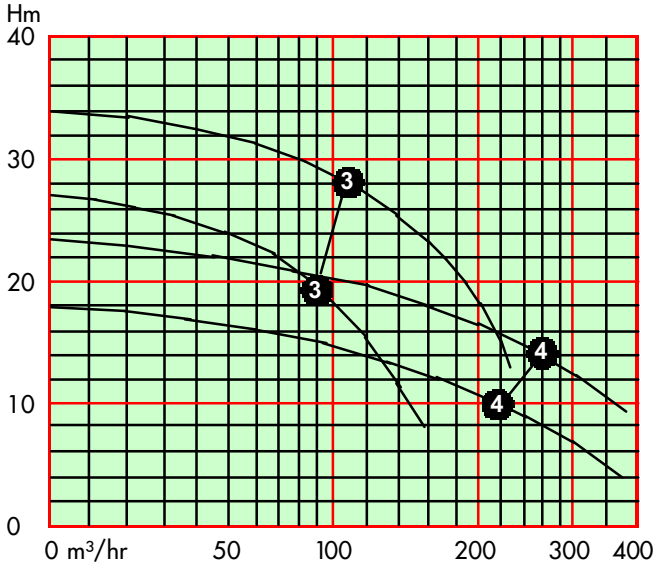
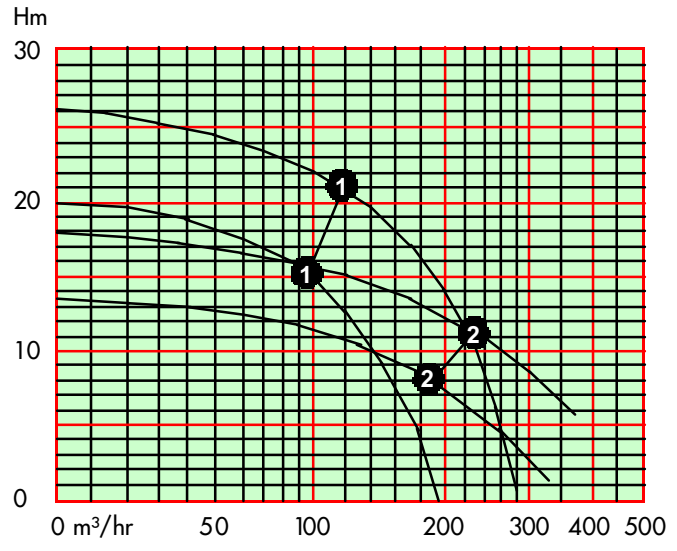
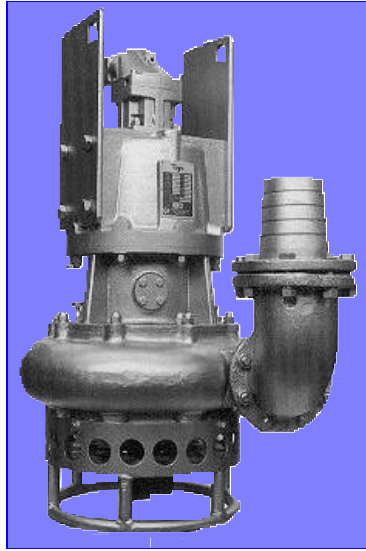


TOYO DPH HYDRAULIC AGITATOR PUMPS

Toyo DPH hydraulic submersible agitator pumps (11 to 59kW) have been designed to lift sediments with solids such as sand, gravel, stones and similar debris into suspension and then transfer it over considerable distances. The concentration of solids in the pumped liquid can be up to 70% by weight with a maximum density of 1.8kg/dm³. This makes the DPH range ideal for a wide range of dredging, mineral extraction and industrial cleaning type operations.

Servicing and maintaining good working order is easy. DPH pumps have two wear plates, one of which is adjustable. This simple adjustment allows long lasting high performance.



No.	Model	Outlet		Capacity m ³ /hr		Manom.Head m		Grain Size mm	Power kW		RPM		Weight kg
		inch	mm	min	max	min	max		min	max	min	max	
1	DPH15	4	100	90	120	15	21	35	11	18.5	960	1150	360
2	DPH15B	6	150	190	228	8	11	60	11	18.5	960	1150	380
3	DPH20	4	100	90	108	20	28	35	16	25.5	960	1150	385
4	DPH20B	6	150	220	264	10	14	60	16	25.5	960	1150	405
5	DPH30	4	100	90	108	30	42	35	26	38	960	1150	590
6	DPH30B	6	150	210	252	15	21	60	26	38	960	1150	570
7	DPH40B	8	200	360	432	12	17	40	32	47	960	1150	580
8	DPH50	6	150	190	228	25	35	60	40	59	960	1150	660

TOYO DPH HYDRAULIC AGITATOR PUMPS

No.	Model	Dimensions									
		A	B	C	D	E	F	G	H	I	J
1	DPH15	1087	500	350	260	280	197	300	445	500	750
2	DPH15B	1087	580	330	280	280	197	300	445	560	840
3	DPH20	1104	495	345	265	280	214	300	515	495	825
4	DPH20B	1104	560	330	280	280	214	300	445	560	840
5	DPH30L	1165	515	365	280	280	240	360	635	515	910
6	DPH30B	1165	580	350	295	280	240	360	510	580	955
7	DPH40B	1189	580	350	295	280	264	360	510	600	1010
8	DPH50	1274	635	405	325	280	264	360	560	635	1020

GENERAL DETAILS

Wear Parts

Manufactured in chrome steel alloy (24 to 28%) offering long service life.

Temperatures

Maximum medium temperature: 60°C

Acid Resistance

Pumps can operate in media pH 4-9.5

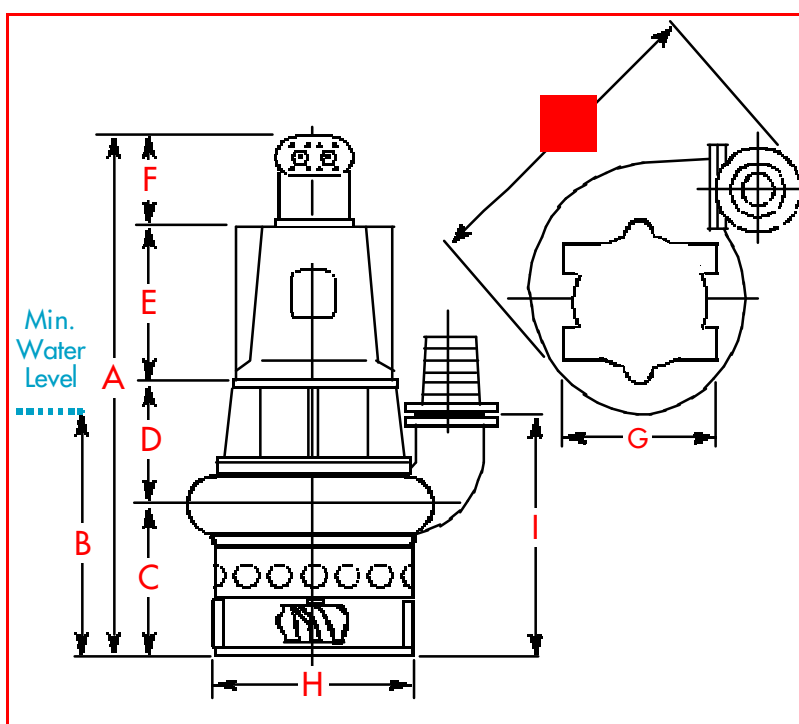
Working Depth

Standard operating depth is 40m, but 120m depths can be achieved with the use of pressure compensators.

Hydraulic Piston Motors

Adjustable rotation speed to suit specific site requirements.

When mounted on an excavator arm, may be directly connected to vehicle's hydraulic power system



No.	Model	Hydraulic Motor Type	RPM		Flow motor l/m		Motor Cap. cc	Motor Press. Bar		Fittings (SAE)		
			min	max	min	max		min	max	inlet	outlet	drain
1	DPH15	Volvo F12.40	960	1150	39	45	40.0	180	250	3/4"	3/4"	3/4"-16
2	DPH15B	Volvo F12.40	960	1150	39	45	40.0	180	250	3/4"	3/4"	3/4"-16
3	DPH20	Volvo F12.60	960	1150	58	67	59.8	180	250	3/4"	3/4"	7/8"-14
4	DPH20B	Volvo F12.60	960	1150	58	67	59.8	180	250	3/4"	3/4"	7/8"-14
5	DPH30	Volvo F12.80	960	1150	78	90	80.4	180	250	1"	1"	7/8"-14
6	DPH30B	Volvo F12.80	960	1150	78	90	80.4	180	250	1"	1"	7/8"-14
7	DPH40B	Volvo F12.110	960	1150	110	127	110.1	210	250	1 1/4"	1 1/4"	3/4" BSP
8	DPH50	Volvo F12.110	960	1150	110	127	110.1	210	250	1 1/4"	1 1/4"	3/4" BSP

© Descriptions, technical data and features contained in this leaflet are not binding. We reserve the right to make any necessary modifications without prior notice.

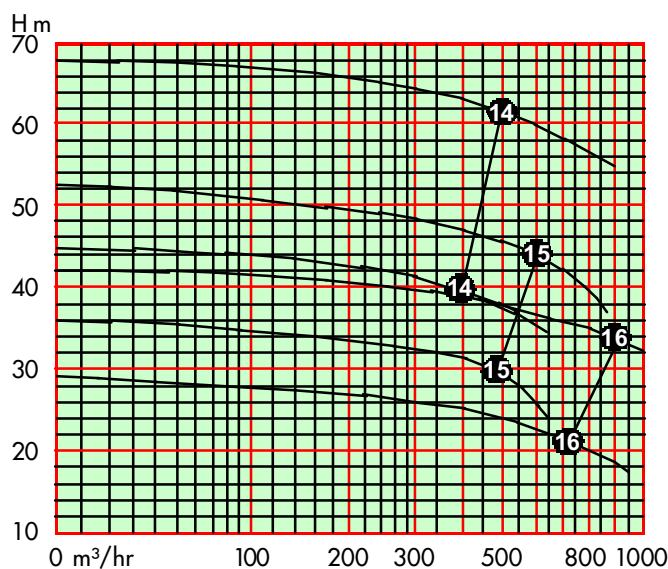
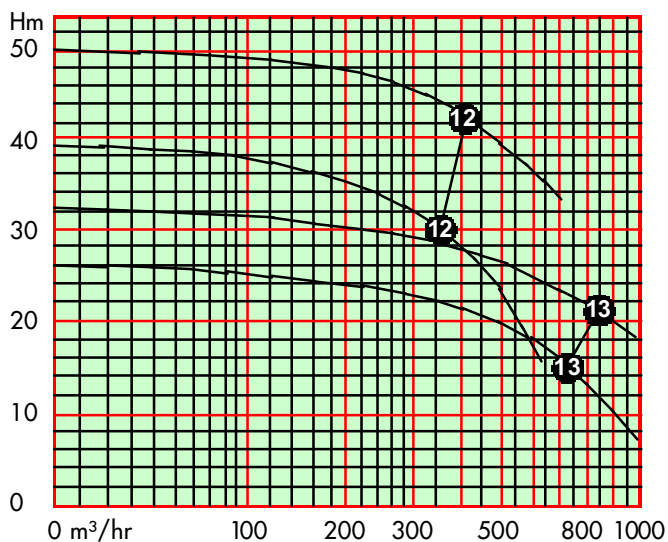
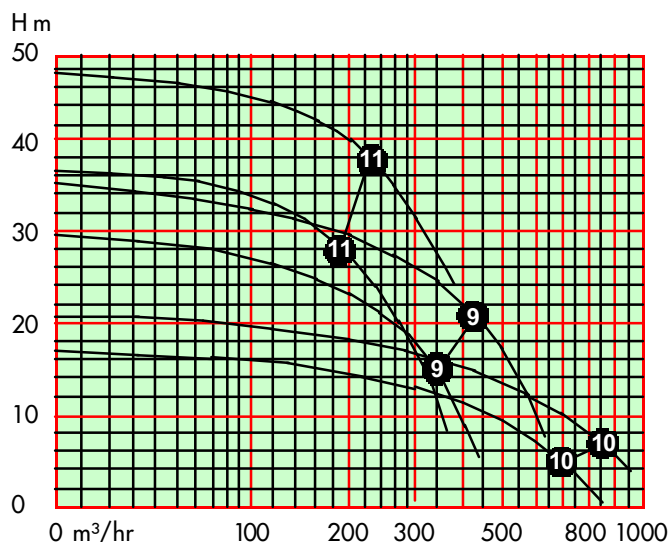
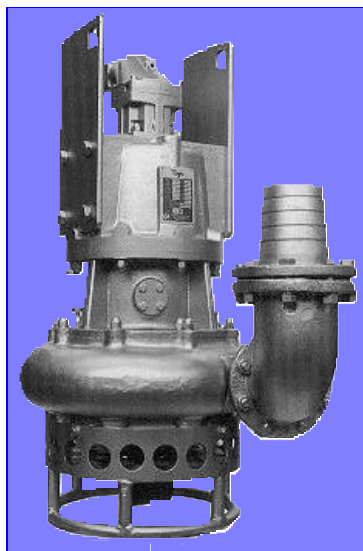
POMP  DIRECT

T 0294-457712 F 0294-457713 info@pompdirect.nl

TOYO DPH HYDRAULIC AGITATOR PUMPS

Toyo DPH hydraulic submersible agitator pumps (40 to 220kW) have been designed to lift sediments with solids such as sand, gravel, stones and similar debris into suspension and then transfer it over considerable distances. The concentration of solids in the pumped liquid can be up to 70% by weight with a maximum density of 1.8kg/dm³. This makes the DPH range ideal for a wide range of dredging, mineral extraction and industrial cleaning type operations.

Servicing and maintaining good working order is easy. DPH pumps have two wear plates, one of which is adjustable. This simple adjustment allows long lasting high performance.



No.	Model	Outlet		Capacity m ³ /hr		Manom.Head m		Grain Size mm	Power kW		RPM		Weight kg
		inch	mm	min	max	min	max		min	max	min	max	
9	DPH50B	8	200	360	432	15	21	60	40	59	960	1150	680
10	DPH50BL	10	250	720	864	5	7	100	40	59	960	1150	930
11	DPH50H	6	150	190	223	28	38	40	40	59	960	1150	950
12	DPH100B	8	200	360	428	30	42	60	86	129	740	880	1800
13	DPH100BL	10	250	720	856	15	21	100	86	129	740	880	2200
14	DPH300	8	200	390	487	40	62	120	124	220	590	750	2900
15	DPH300L	8	200	480	600	30	46	120	124	220	590	750	2900
16	DPH300B	10	250	720	900	22	34	120	124	220	590	750	2940

TOYO DPH HYDRAULIC AGITATOR PUMPS

No.	Model	Dimensions									
		A	B	C	D	E	F	G	H	I	J
9	DPH50B	1274	635	405	325	280	264	360	560	655	1065
10	DPH50BL	1349	760	462.5	342.5	280	264	360	560	762.5	1350
11	DPH50H	1279	650	420	315	280	264	360	660	650	1095
12	DPH100B	1810	695	445	415	600	350	520	760	695	1570
13	DPH100BL	1993	840	540.5	502.5	600	350	520	820	840.5	1645
14	DPH300	2270	940	640	634	600	396	520	1010	940	1610
15	DPH300L	2330	970	640	634	600	396	520	1010	940	1695
16	DPH300B	2330	970	670	664	600	396	520	1010	970	1695

GENERAL DETAILS

Wear Parts

Manufactured in chrome steel alloy (24 to 28%) offering long service life.

Temperatures

Maximum medium temperature: 60°C

Acid Resistance

Pumps can operate in media pH 4-9.5

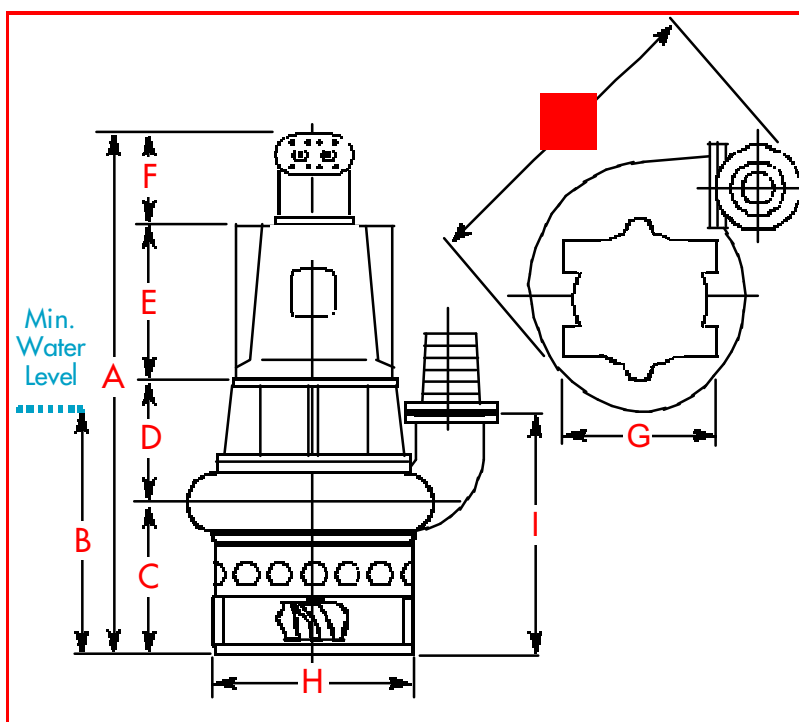
Working Depth

Standard operating depth is 40m, but 120m depths can be achieved with the use of pressure compensators.

Hydraulic Piston Motors

Adjustable rotation speed to suit specific site requirements.

When mounted on an excavator arm, may be directly connected to vehicle's hydraulic power system



No.	Model	Hydraulic Motor Type	RPM		Flow motor l/m		Motor Cap. cc	Motor Press. Bar		Fittings (SAE)		
			min	max	min	max		min	max	inlet	outlet	drain
9	DPH50B	Volvo F12.110	960	1150	110	127	110.1	210	250	1 1/4"	1 1/4"	3/4" BSP
10	DPH50BL	Volvo F12.110	960	1150	110	127	110.1	210	250	1 1/4"	1 1/4"	3/4" BSP
11	DPH50H	Volvo F12.110	960	1150	110	127	110.1	210	250	1 1/4"	1 1/4"	3/4" BSP
12	DPH100B	Rexroth A2F M355	740	880	275	320	355	210	300	1 1/2"	1 1/2"	M33x2
13	DPH100BL	Rexroth A2F M355	740	880	275	320	355	210	300	1 1/2"	1 1/2"	M33x2
14	DPH300	Rexroth A2F M500	590	750	308	386	500	177	300	1 1/2"	1 1/2"	M33x2
15	DPH300L	Rexroth A2F M500	590	750	308	386	500	177	300	1 1/2"	1 1/2"	M33x2
16	DPH300B	Rexroth A2F M500	590	750	308	386	500	177	300	1 1/2"	1 1/2"	M33x2

© Descriptions, technical data and features contained in this leaflet are not binding. We reserve the right to make any necessary modifications without prior notice.

