

GPN3-80

Classification

Electric submersible pump
 Protection class IP68
 Depth of submersion max. 30m
 Open type impeller with Agitator
 Max. solid handling 30mm
 Suitable for sludge, slurry, liquids containing sandy mud and bentonite

Electric Motor

Dry-type submersible induction motor,
 Insulation class E, 4 poles, 1450 r.p.m.
 Direct on line start
 Voltage: 400V, 50Hz, 3-phase
 Power input: 7,14kW
 Power output: 5,50kW
 Nominal current: 12,05A
 Start current: 83,0A

Electric Cable

20m H07RN-F 4Cx2,5mm²

Motor Protection

Circle thermal protector
 (snap-action bi-metal device)

Shaft Seal

Double mechanical seal in oil bath
 additional lubrication by oil lifting device
 Primary Seal:
 silicon carbide on silicon carbide
 Secondary Seal:
 SUS420J2 (EN X30Cr13)

Bearings

Shielded ball bearings, maintenance-free

Materials

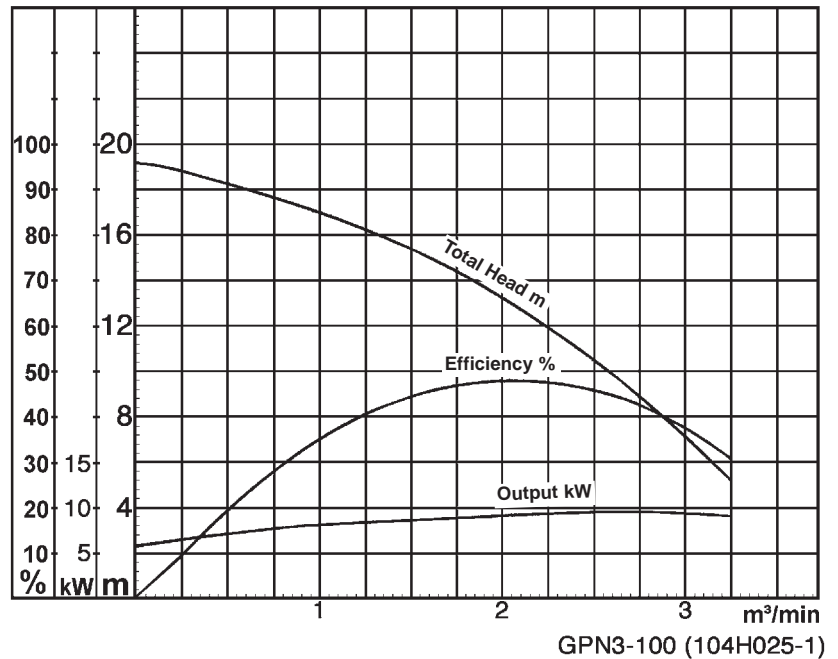
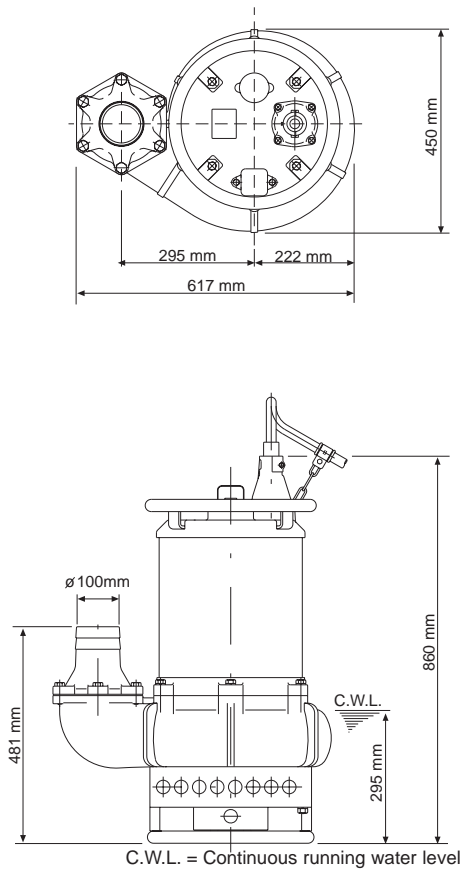
Impeller:	Chromium iron casting
Agitator:	Chromium iron casting
Casing:	FC200 (EN-GJL-200)
Suction Plate:	Chromium iron casting
Motor frame:	FC150 (EN-GJL-150)
Shaft:	SCM435 (DIN 1.7220)

Discharge Connection

3" (80mm) hose coupling

Weight

145 kg (dry weight of the pump without cable)



Classification

Electric submersible pump
 Protection class IP68
 Depth of submersion max. 30m
 Open type impeller with Agitator
 Max. solid handling 30mm
 Suitable for sludge, slurry, liquids containing sandy mud and bentonite

Electric Motor

Dry-type submersible induction motor,
 Insulation class B, 4 poles, 1450 r.p.m.
 Direct on line start
 Voltage: 400V, 50Hz, 3-phase
 Power input: 13,4kW
 Power output: 11,0kW
 Nominal current: 21,8A
 Start current: 155,0A

Electric Cable

20m H07RN-F 4Cx4mm²

Motor Protection

Circle thermal protector
 (snap-action bi-metal device)

Shaft Seal

Double mechanical seal in oil bath
 additional lubrication by oil lifting device
 Primary Seal:
 silicon carbide on silicon carbide
 Secondary Seal:
 SUS420J2 (EN X30Cr13)

Bearings

Shielded ball bearings, maintenance-free

Materials

Impeller:	Chromium iron casting
Agitator:	Chromium iron casting
Casing:	FC200 (EN-GJL-200)
Suction Plate:	Chromium iron casting
Motor frame:	FC150 (EN-GJL-150)
Shaft:	SCM435 (DIN 1.7220)

Discharge Connection

4" (100mm) hose coupling

Weight

220 kg (dry weight of the pump without cable)