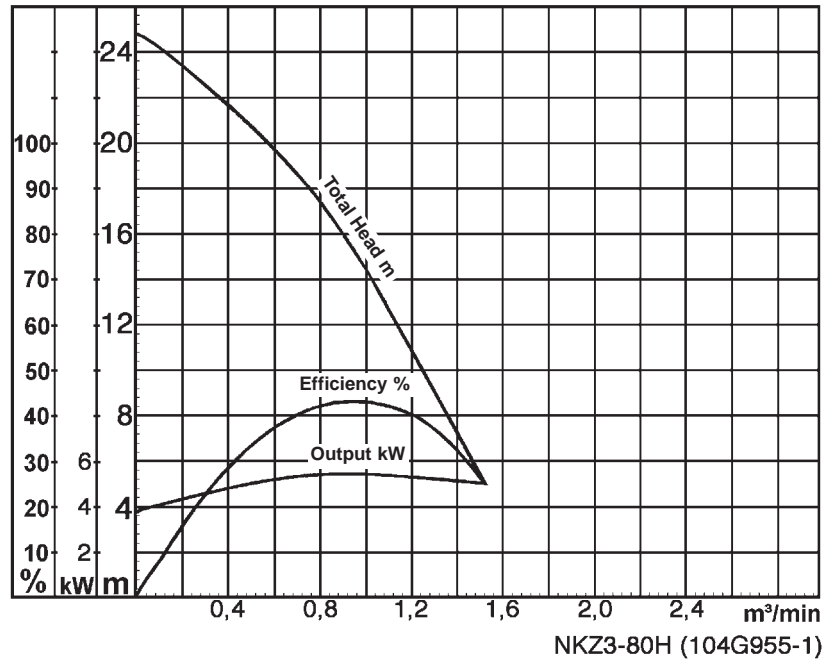


NKZ3-80H



NKZ3-80H (104G955-1)

Classification

Electric submersible pump
 Protection class IP68
 Depth of submersion max. 30m
 Open type impeller with Agitator
 Max. solid handling 20mm
 Suitable for sludge, slurry, liquids containing sandy mud and bentonite

Electric Motor

Dry-type submersible induction motor,
 Insulation class E, 4 poles, 1450 r.p.m.
 Direct on line start
 Voltage: 400V, 50Hz, 3-phase
 Power input: 7,14kW
 Power output: 5,5kW
 Nominal current: 12,05A
 Start current: 83,0A

Electric Cable

20m H07RN-F 4Cx2,5mm²

Motor Protection

Circle thermal protector
 (snap-action bi-metal device)

Shaft Seal

Double mechanical seal in oil bath
 additional lubrication by oil lifting device
 Primary Seal:
 silicon carbide on silicon carbide
 Secondary Seal:
 silicon carbide on silicon carbide

Bearings

Shielded ball bearings, maintenance-free

Materials

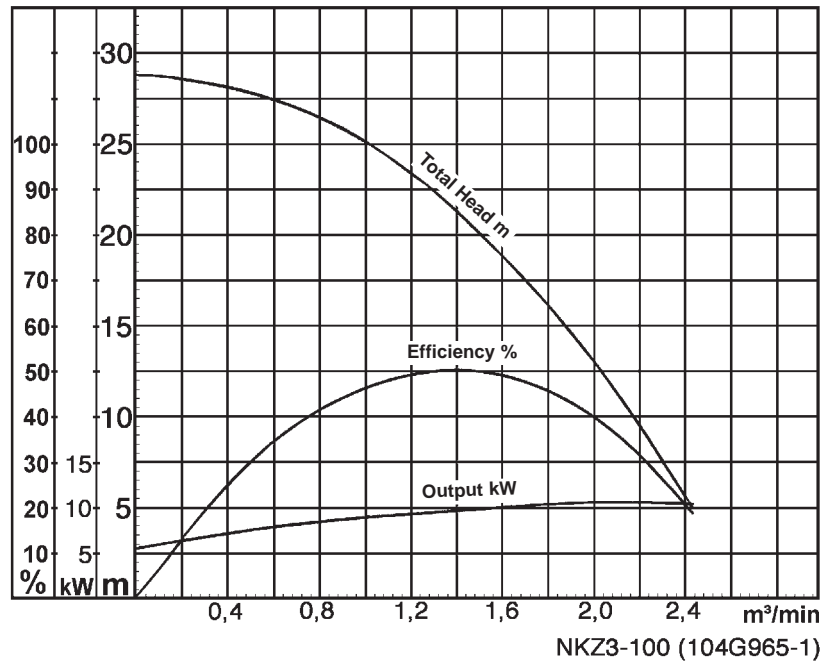
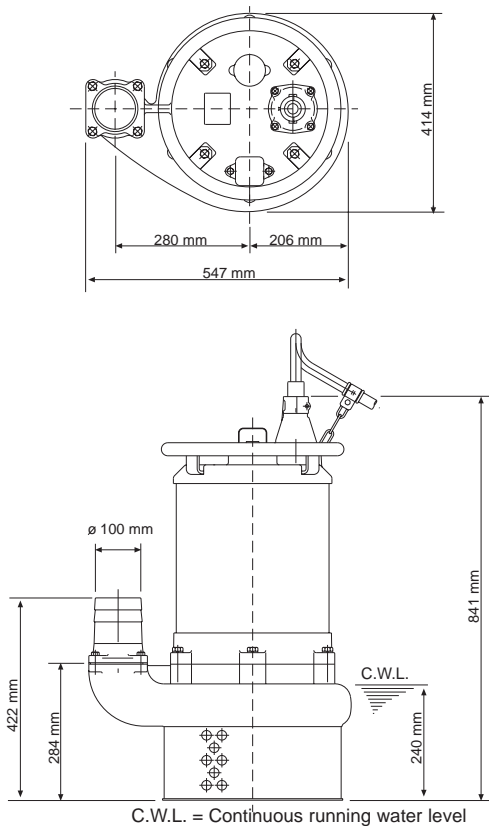
Impeller:	Chromium iron casting
Agitator:	FCD700 (EN-GJS-700-2)
Casing:	FC200 (EN-GJL-200)
Suction Plate:	FCD700 (EN-GJS-700-2)
Motor frame:	FC150 (EN-GJL-150)
Shaft:	SUS420J2 (EN X30Cr13)

Discharge Connection

3" (80mm) hose coupling

Weight

114 kg (dry weight of the pump without cable)



Classification

Electric submersible pump
 Protection class IP68
 Depth of submersion max. 30m
 Open type impeller with Agitator
 Max. solid handling 20mm
 Suitable for sludge, slurry, liquids containing sandy mud and bentonite

Electric Motor

Dry-type submersible induction motor,
 Insulation class B, 4 poles, 1450 r.p.m.
 Direct on line start
 Voltage: 400V, 50Hz, 3-phase
 Power input: 13,4kW
 Power output: 11,0kW
 Nominal current: 21,8A
 Start current: 155,0A

Electric Cable

20m H07RN-F 4Cx4mm²

Motor Protection

Circle thermal protector
 (snap-action bi-metal device)

Shaft Seal

Double mechanical seal in oil bath
 additional lubrication by oil lifting device
 Primary Seal:
 silicon carbide on silicon carbide
 Secondary Seal:
 silicon carbide on silicon carbide

Bearings

Shielded ball bearings, maintenance-free

Materials

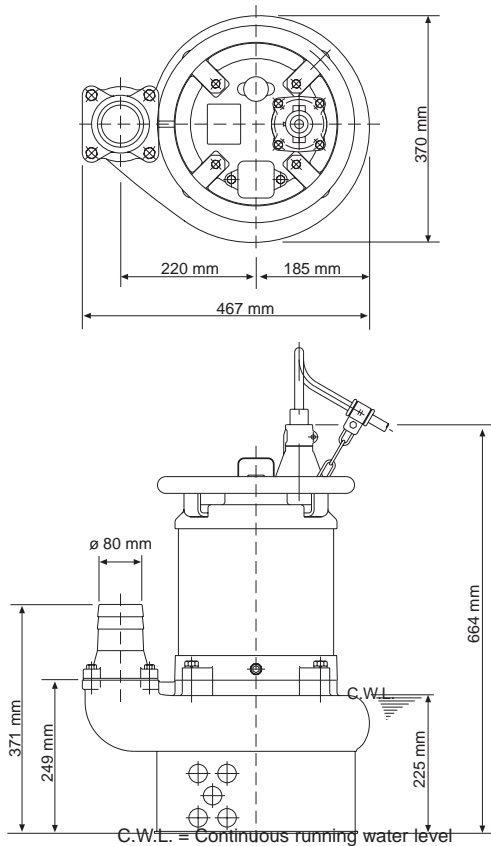
Impeller:	Chromium iron casting
Agitator:	FCD700 (EN-GJS-700-2)
Casing:	FC200 (EN-GJL-200)
Suction Plate:	FCD700 (EN-GJS-700-2)
Motor frame:	FC150 (EN-GJL-150)
Shaft:	SUS420J2 (EN X30Cr13)

Discharge Connection

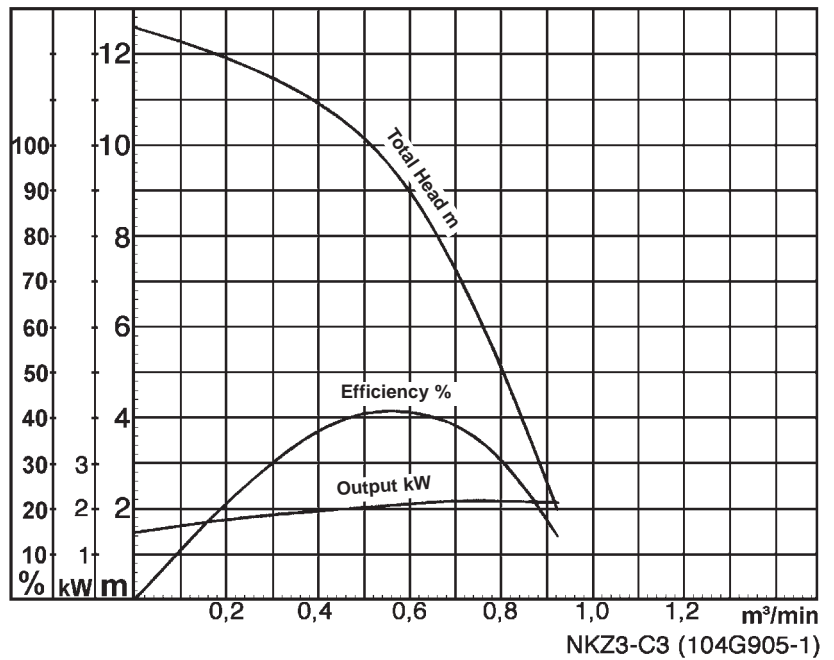
4" (100mm) hose coupling

Weight

192 kg (dry weight of the pump without cable)



NKZ3-C3



Classification

Electric submersible pump
 Protection class IP68
 Depth of submersion max. 30m
 Open type impeller with Agitator
 Max. solid handling 30mm
 Suitable for sludge, slurry, liquids containing sandy mud and bentonite

Electric Motor

Dry-type submersible induction motor,
 Insulation class E, 4 poles, 1450 r.p.m.
 Direct on line start
 Voltage: 400V, 50Hz, 3-phase
 Power input: 3,02kW
 Power output: 2,2kW
 Nominal current: 5,05A
 Start current: 29,7A

Electric Cable

20m H07RN-F 4Cx1,5mm²

Motor Protection

Circle thermal protector
 (snap-action bi-metal device)

Shaft Seal

Double mechanical seal in oil bath
 additional lubrication by oil lifting device
 Primary Seal:
 silicon carbide on silicon carbide
 Secondary Seal:
 silicon carbide on silicon carbide

Bearings

Shielded ball bearings, maintenance-free

Materials

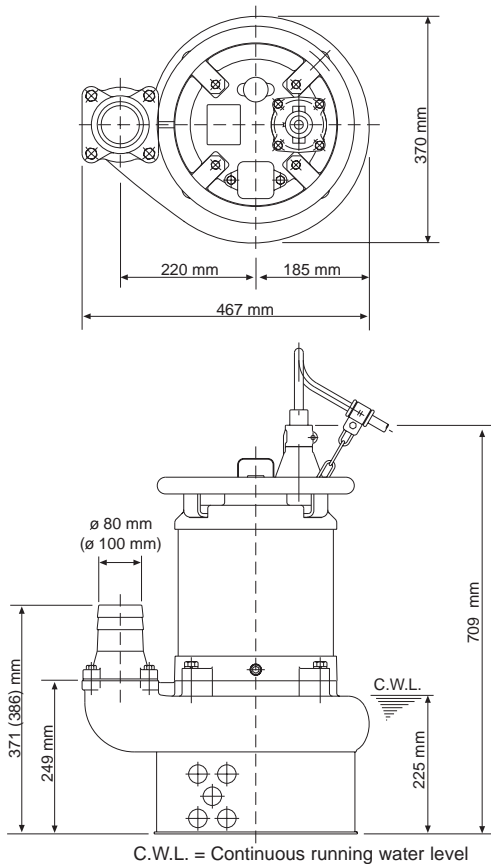
Impeller:	FCD700 (EN-GJS-700-2)
Agitator:	FCD700 (EN-GJS-700-2)
Casing:	FC200 (EN-GJL-200)
Suction Plate:	FC200 (EN-GJL-200)
Motor frame:	FC150 (EN-GJL-150)
Shaft:	SUS420J2 (EN X30Cr13)

Discharge Connection

3" (80mm) hose coupling

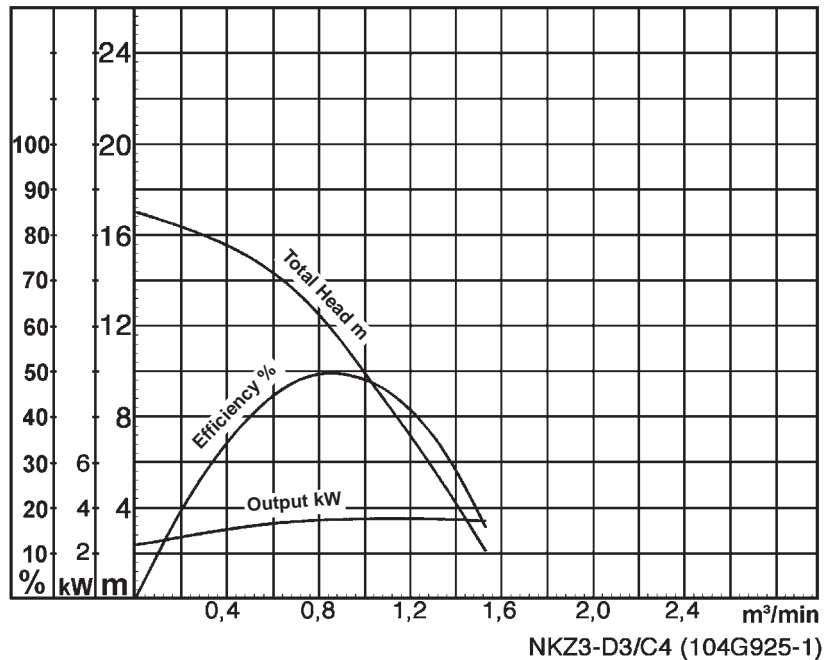
Weight

91 kg (dry weight of the pump without cable)



C.W.L. = Continuous running water level

**NKZ3-D3
(NKZ3-C4)**



NKZ3-D3/C4 (104G925-1)

Classification

Electric submersible pump
Protection class IP68
Depth of submersion max. 30m
Open type impeller with Agitator
Max. solid handling 30mm
Suitable for sludge, slurry, liquids containing sandy mud and bentonite

Electric Motor

Dry-type submersible induction motor,
Insulation class E, 4 poles, 1450 r.p.m.
Direct on line start
Voltage: 400V, 50Hz, 3-phase
Power input: 4,8kW
Power output: 3,7kW
Nominal current: 7,92A
Start current: 49,0A

Electric Cable

20m H07RN-F 4Cx1,5mm²

Motor Protection

Circle thermal protector
(snap-action bi-metal device)

Shaft Seal

Double mechanical seal in oil bath
additional lubrication by oil lifting device
Primary Seal:
silicon carbide on silicon carbide
Secondary Seal:
silicon carbide on silicon carbide

Bearings

Shielded ball bearings, maintenance-free

Materials

Impeller:	FCD700 (EN-GJS-700-2)
Agitator:	FCD700 (EN-GJS-700-2)
Casing:	FC200 (EN-GJL-200)
Suction Plate:	FC200 (EN-GJL-200)
Motor frame:	FC150 (EN-GJL-150)
Shaft:	SUS420J2 (EN X30Cr13)

Discharge Connection

3" (80mm) / 4" (100mm) hose coupling

Weight

100 kg (dry weight of the pump without cable)